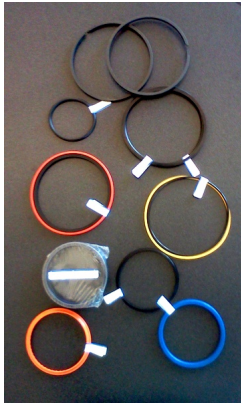


Deprecated: Optional parameter \$selected declared before required parameter \$htmlIn is implicitly treated as a required parameter in /home2/smartlhm/recyclingequipment.smartcoddors.com/plugins/vmshipment/ups_ship/ups_ship.php on line 722

Deprecated: Optional parameter \$selected declared before required parameter \$htmlIn is implicitly treated as a required parameter in /home2/smartlhm/recyclingequipment.smartcoddors.com/plugins/vmshipment/ups_ship/ups_ship.php on line 733

Deprecated: Optional parameter \$cart_prices declared before required parameter \$shipCounter is implicitly treated as a required parameter in /home2/smartlhm/recyclingequipment.smartcoddors.com/plugins/vmshipment/ups_ship/ups_ship.php on line 864

Piqua Hydraulic Cylinder Seal Kit



In Stock-Seal Kit for 6" BORE, 4" ROD Cylinder.

Rating: Not Rated Yet

Price

Sales price \$224.00

Sales price without tax \$224.00

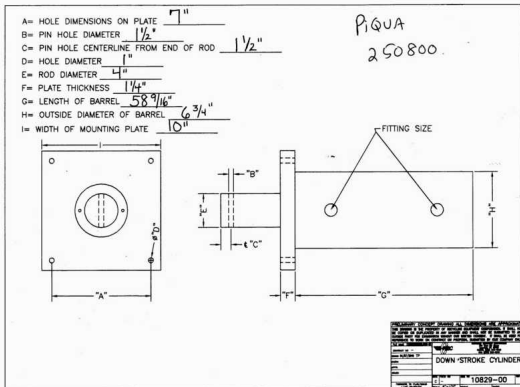
Tax amount

[Ask a question about this product](#)

Description

Is this your cylinder? (see below) Then this the seal kit for it. For some cylinders, this may be more than you need, so take time to match up the seals in your cylinder with the seals in this

kit.



Seal Kit for 6" BORE, 4" ROD Piqua Cylinder.

This kit may have more seals in it than you need,

but these would be the most commonly used seals in

the Piqua Vertical Baler Series.

If this doesnt appear to be the seal kit for your cylinder, send us the seals and we will match them up, and quote you for a new seal kit

within 48 hours.

//